

# General installation instructions for Ridding wine racks.

Three piece 9' racks shown, Other racks would have mix or 48" posts.

Items needed for installation.

Power Drill

3/8" drill bit

Phillips bit

Tape measure 10 or 25 foot

Hack saw or band saw

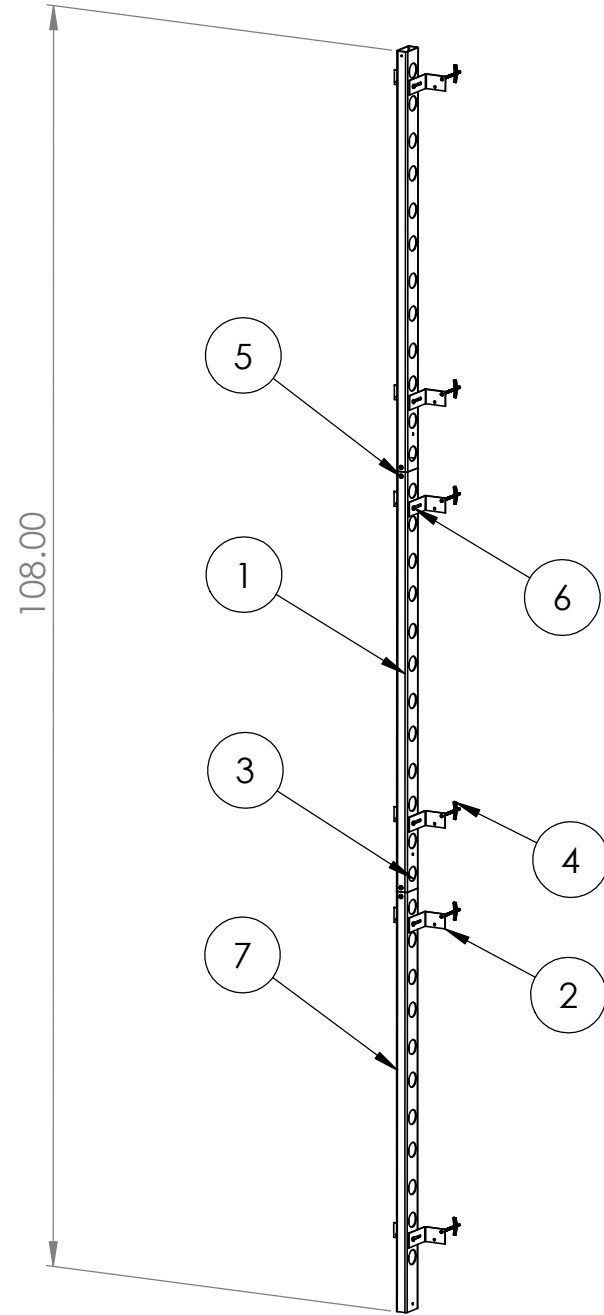
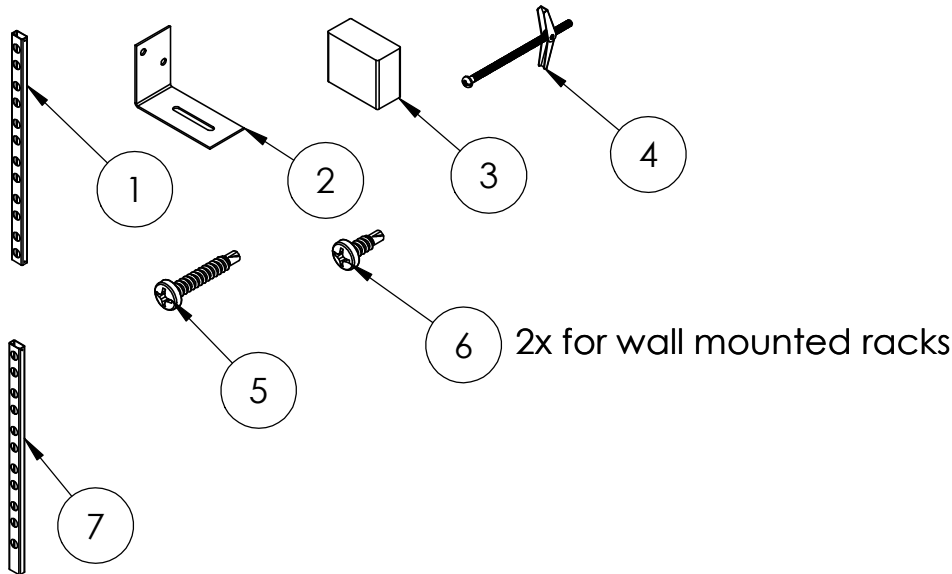
Level between 12 and 24in, Magnetic level would be ideal

Hammer or Rubber mallet

Blue or Red felt pen

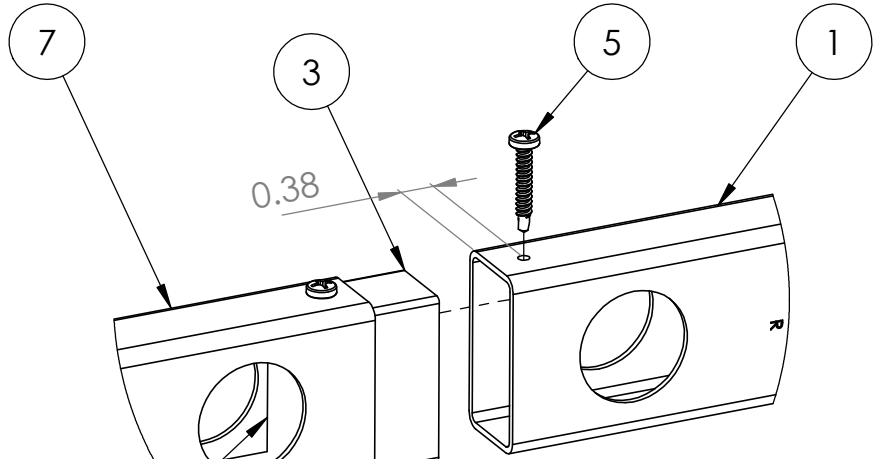
Level working area.

ITEM NO.	PART NUMBER	QTY.
1	ridding-post-36	2
2	ridding-bracket	12
3	ridding-wood-joiner	2
4	2" x 1/8" toggle bolt	12
5	1" x 3/16" self tapping screw	8
6	1/2" x 3/16" self tapping screw	12
7	ridding-base-36	1



Pair post and base with the R's facing one side.  
 Insert the wooden block approximately half deep.  
 Make sure both posts are flush and parallel with each other.  
 This should fit in tightly. Drill in 1" self tapping screw 3/8" away from edge per side.  
 Repeat for the remaining posts.

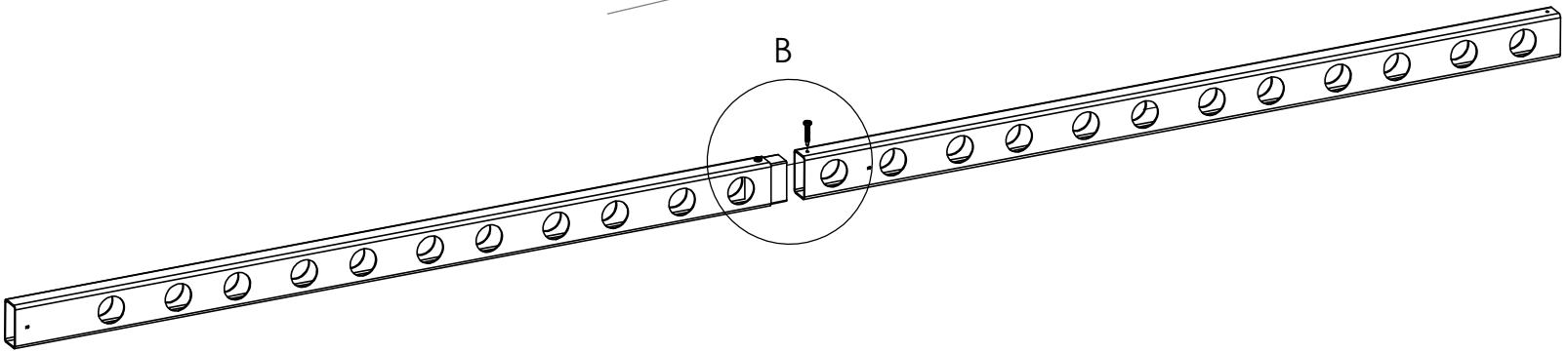
ITEM NO.	PART NUMBER	QTY.
1	ridding-post-36	2
2	ridding-bracket	12
3	ridding-wood-joiner	2
4	2" x 1/8" toggle bolt	12
5	1" x 3/16" self tapping screw	8
6	1/2" x 3/16" self tapping screw	12
7	ridding-base-36	1



wooden block should not project into the 1.25" holes

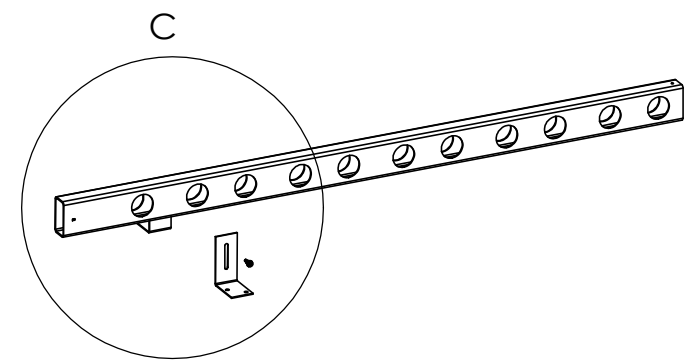
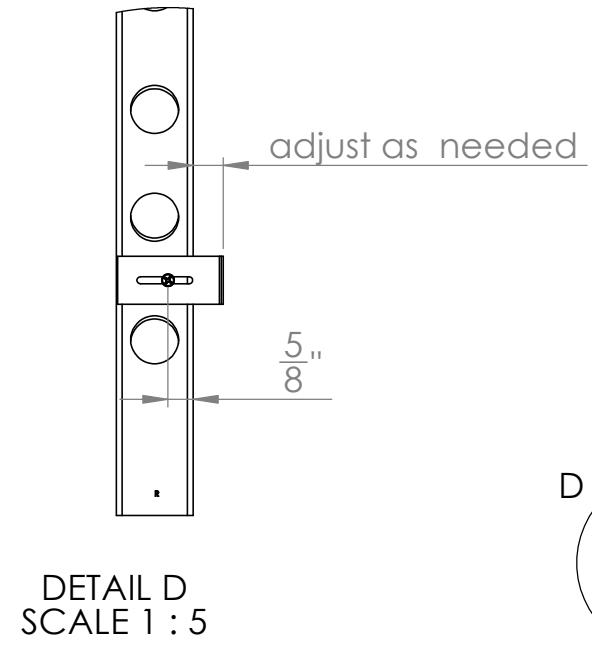
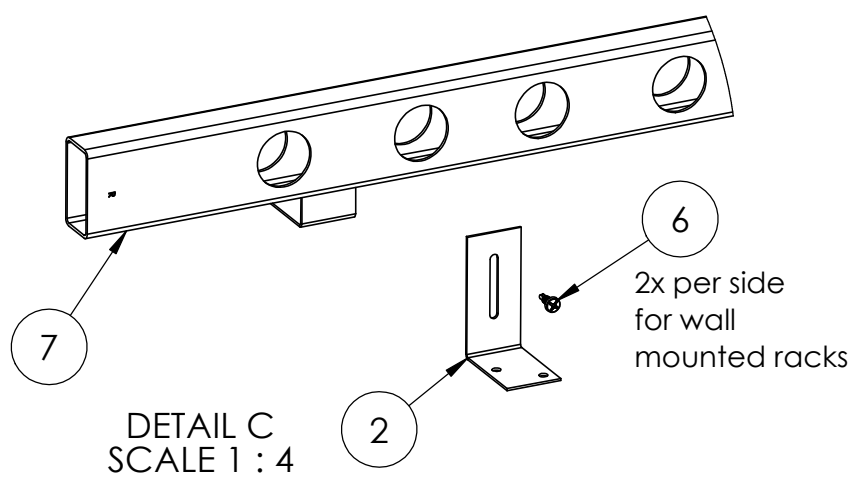
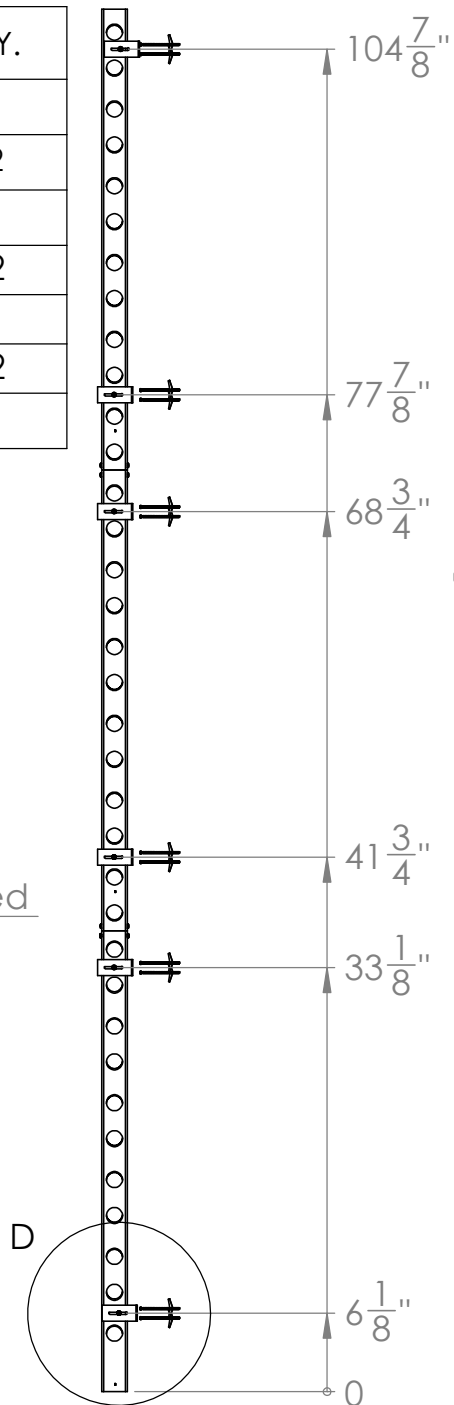
DETAIL B  
 SCALE 1 : 2

*approximately half way in*



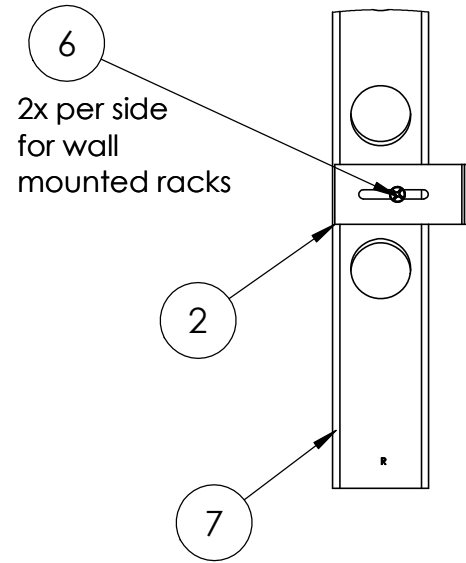
Set bracket 6 1/8" off of the end of the base. (adjust if you cut the base down.)  
 Drill the 1/2" self tapping screw 5/8" from back of the post or base and leave loose. (for ceiling to floor racks)  
 (For 36" and 48" wall mounted racks attach two (6) 1/2" x 3/16" self tapping screw and tighten).

ITEM NO.	PART NUMBER	QTY.
1	ridding-post-36	2
2	ridding-bracket	12
3	ridding-wood-joiner	2
4	2" x 1/8" toggle bolt	12
5	1" x 3/16" self tapping screw	8
6	1/2" x 3/16" self tapping screw	12
7	ridding-base-36	1

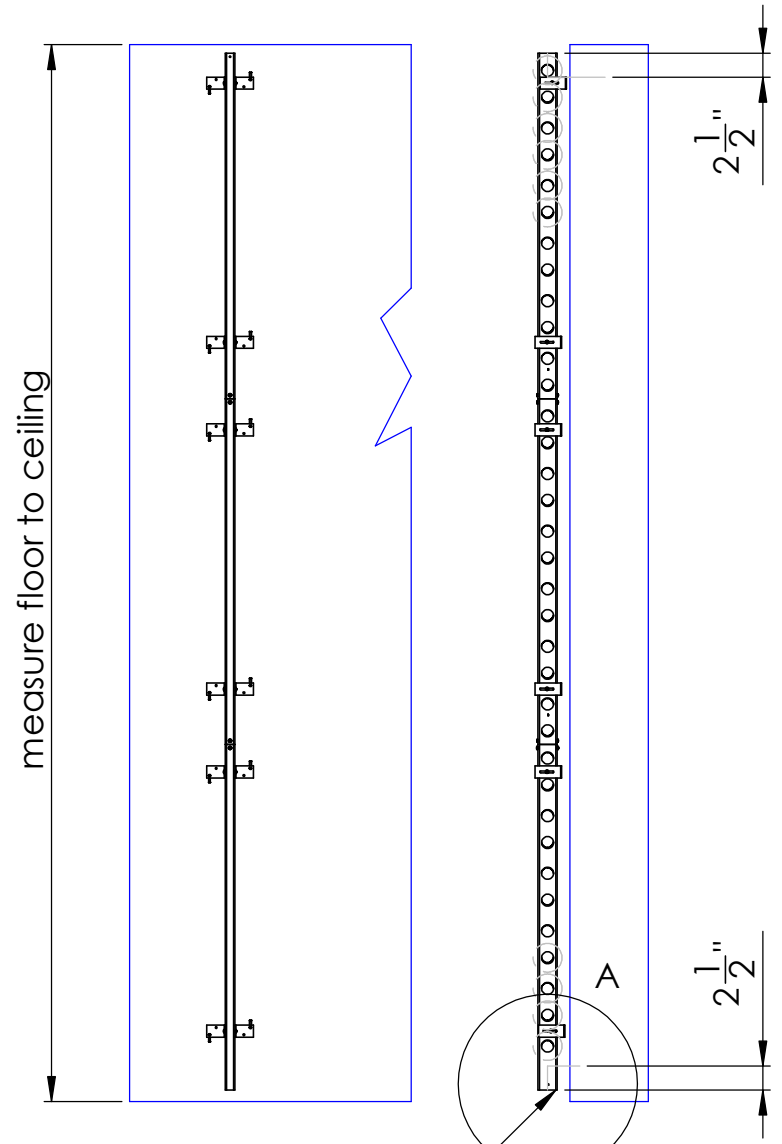


Measure from floor to ceiling to insure proper fit.  
 Some drop ceiling or stucco ceiling may vary in heights.  
 Up to 2 1/2" inches off the base and up to 2 1/2" from top as shown can be cut to fit.  
**Note** the side with the R as it determines right side.

ITEM NO.	PART NUMBER	QTY.
1	ridding-post-36	2
2	ridding-bracket	12
3	ridding-wood-joiner	2
4	2" x 1/8" toggle bolt	12
5	1" x 3/16" self tapping screw	8
6	1/2" x 3/16" self tapping screw	12
7	ridding-base-36	1



DETAIL A  
 SCALE 1 : 4

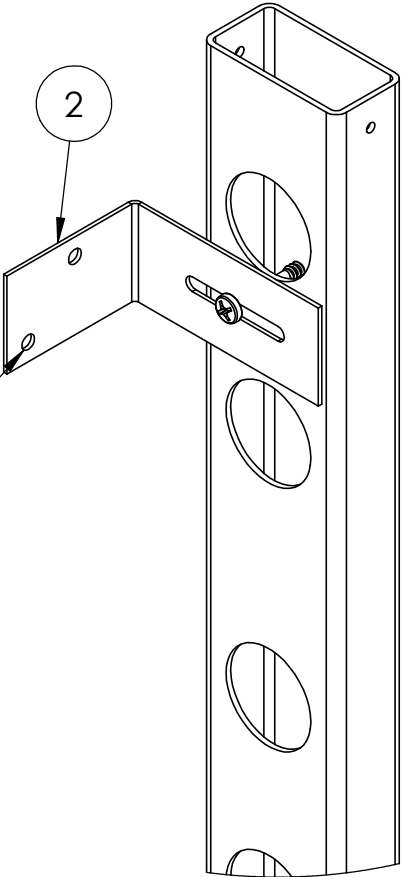


**Note** the side with the R as it determines right side.

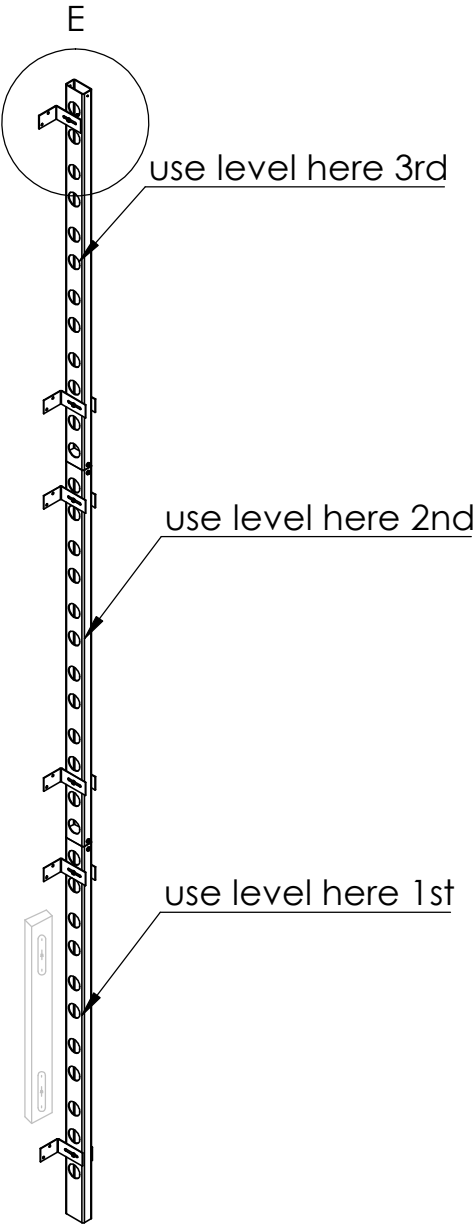
Use supplied toggle bolts, unless you are hitting a stud. (For a stud use 1.5" wood screws)  
 Put assembled rack up against wall and hold  
 brackets should be 90 degrees loosely tighten to post, level and mark.  
 The base should be resting on the floor.  
 Continue until all outside holes are marked.

ITEM NO.	PART NUMBER	QTY.
1	ridding-post-36	2
2	ridding-bracket	12
3	ridding-wood-joiner	2
4	2" x 1/8" toggle bolt	12
5	1" x 3/16" self tapping screw	8
6	1/2" x 3/16" self tapping screw	12
7	ridding-base-36	1

when level mark the outside hole with red or blue felt tip pen. repeat both side down the other posts until done.

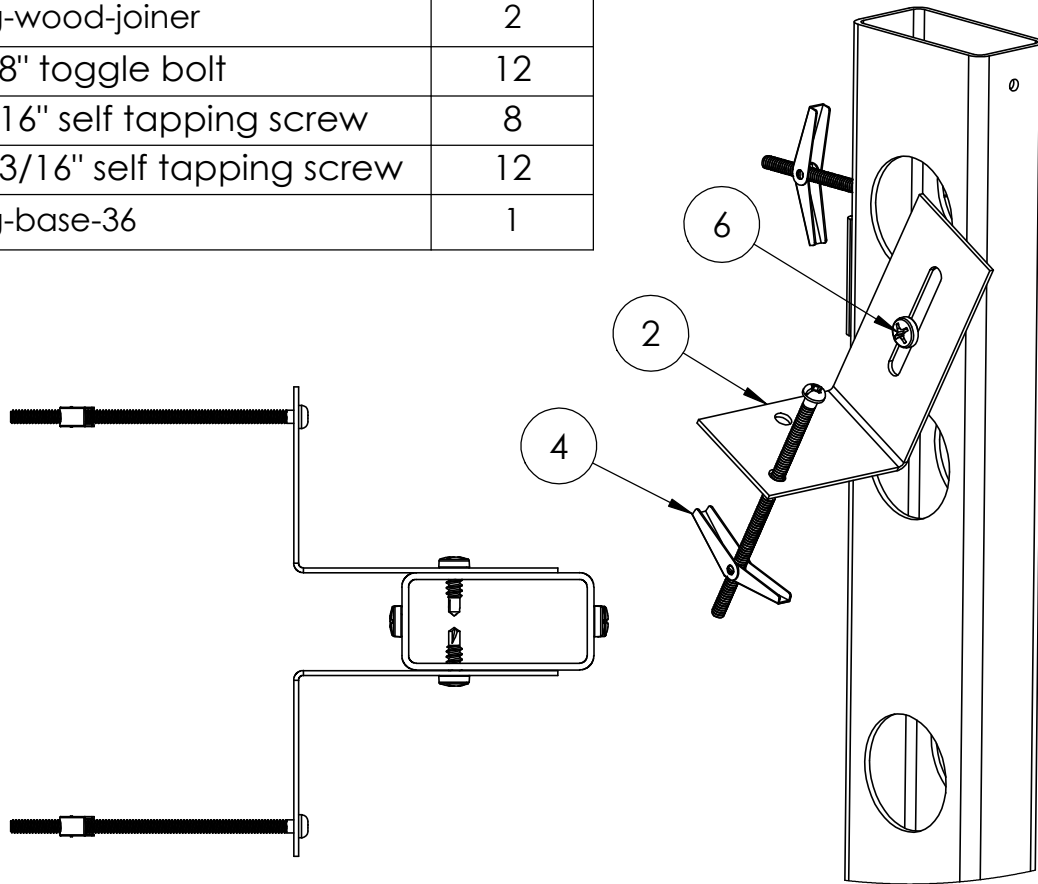


DETAIL E  
 SCALE 1 : 2



Find marked hole pattern and drill with 3/8" drill bit  
 Rotate bracket down about 60 degrees and insert toggle bolt as shown.  
 Repeat for each side until all toggle bolts are loosely in.  
 Rotate back 60 degrees Insert toggle bolts into wall starting bottom up and tighten in same order.  
 Tighten #4 toggle bolt to wall then tighten #6 repeat up the wall.

ITEM NO.	PART NUMBER	QTY.
1	ridding-post-36	2
2	ridding-bracket	12
3	ridding-wood-joiner	2
4	2" x 1/8" toggle bolt	12
5	1" x 3/16" self tapping screw	8
6	1/2" x 3/16" self tapping screw	12
7	ridding-base-36	1



DETAIL F  
 SCALE 1 : 2

